

In Touch



Bock open type compressors F

The full range open type compressors and units

R22		Performance data											1.450 rpm	
Type	Cond. temp. °C		Cooling capacity \dot{Q}_0 [W]						Power P [kW]					
			Evaporating temperature °C											
			10	5	0	-5	-10	-15	-20	-25	-30	-35	-40	
F2	30	Q	12420	10492	8792	7303	6007	4889	3932	3118	2431	1854	1370	
		P	1,48	1,59	1,63	1,63	1,59	1,51	1,42	1,31	1,20	1,09	1,00	
	40	Q	11359	9565	7987	6610	5415	4386	3507	2760	2129	1597	1147	
		P	2,04	2,07	2,04	1,98	1,88	1,76	1,63	1,49	1,36	1,24	1,15	
	50	Q	10263	8608	7157	5895	4805	3871	3074	2398				
		P	2,57	2,52	2,43	2,30	2,15	1,99	1,83	1,67				
F3	30	Q	24080	20342	17046	14158	11646	9479	7622	6044	4712	3593	2656	
		P	2,87	3,08	3,16	3,16	3,08	2,93	2,75	2,54	2,33	2,12	1,94	
	40	Q	22022	18543	15485	12814	10497	8503	6798	5350	4127	3095	2223	
		P	3,96	4,01	3,96	3,83	3,64	3,41	3,16	2,89	2,64	2,41	2,23	
	50	Q	19897	16687	13875	11429	9316	7503	5959	4649				
		P	4,99	4,89	4,71	4,46	4,18	3,86	3,54	3,23				
F4	30	Q	48161	40685	34091	28316	23293	18957	15244	12088	9424	7187	5312	
		P	5,75	6,15	6,33	6,32	6,15	5,87	5,50	5,08	4,65	4,24	3,88	
	40	Q	44044	37087	30970	25627	20994	17005	13596	10700	8253	6191	4446	
		P	7,92	8,01	7,92	7,66	7,29	6,82	6,31	5,78	5,28	4,82	4,46	
	50	Q	39795	33374	27750	22858	18632	15006	11917	9299				
		P	9,98	9,77	9,41	8,93	8,35	7,73	7,08	6,46				
F5	30	Q	87555	73963	61977	51477	42345	34463	27712	21975	17132	13065	9656	
		P	10,45	11,18	11,51	11,49	11,19	10,67	10,00	9,24	8,46	7,71	7,06	
	40	Q	80069	67422	56302	46589	38166	30915	24716	19452	15004	11254	8084	
		P	14,40	14,57	14,39	13,93	13,25	12,41	11,48	10,52	9,59	8,76	8,10	
	50	Q	72345	60673	50449	41554	33871	27281	21665	16905				
		P	18,14	17,77	17,11	16,23	15,18	14,05	12,88	11,74				
F14/1166	30	Q	120460	101761	85270	70824	58260	47416	38128	30234	23571	17976	13286	
		P	14,38	15,39	15,83	15,80	15,39	14,68	13,76	12,71	11,63	10,61	9,72	
	40	Q	110163	92762	77462	64100	52511	42534	34006	26763	20644	15484	11121	
		P	19,82	20,05	19,80	19,16	18,22	17,07	15,79	14,47	13,20	12,06	11,14	
	50	Q	99536	83477	69410	57173	46602	37535	29808	23259				
		P	24,96	24,45	23,54	22,32	20,89	19,33	17,72	16,15				
F14/1366	30	Q	141369	119424	100070	83117	68372	55646	44746	35482	27662	21096	15592	
		P	16,88	18,06	18,58	18,55	18,06	17,23	16,15	14,92	13,65	12,45	11,40	
	40	Q	129284	108863	90907	75225	61625	49917	39908	31409	24227	18172	13052	
		P	23,26	23,53	23,24	22,49	21,39	20,03	18,53	16,98	15,49	14,15	13,08	
	50	Q	116813	97966	81458	67096	54690	44049	34982	27296				
		P	29,29	28,69	27,62	26,20	24,52	22,68	20,79	18,96				
F16/1751	30	Q	180811	152743	127990	106306	87448	71171	57230	45381	35380	26982	19942	
		P	21,58	23,09	23,76	23,72	23,10	22,03	20,65	19,08	17,46	15,92	14,59	
	40	Q	165353	139235	116270	96212	78818	63843	51042	40171	30986	23241	16693	
		P	29,74	30,09	29,72	28,76	27,35	25,62	23,70	21,72	19,81	18,10	16,73	
	50	Q	149402	125297	104183	85815	69948	56338	44741	34911				
		P	37,46	36,69	35,33	33,51	31,36	29,01	26,60	24,25				
F16/2051	30	Q	211935	179036	150022	124606	102501	83422	67081	53193	41470	31626	23375	
		P	25,30	27,07	27,85	27,80	27,08	25,83	24,21	22,37	20,47	18,66	17,10	
	40	Q	193817	163203	136285	112775	92386	74833	59829	47086	36320	27242	19567	
		P	34,86	35,27	34,83	33,71	32,06	30,03	27,78	25,45	23,22	21,21	19,61	
	50	Q	175120	146867	122118	100588	81990	66037	52443	40921				
		P	43,91	43,01	41,41	39,28	36,76	34,00	31,17	28,42				

- 1
- 2
- 3
- 4

Based on 25°C suction gas temperature without liquid subcooling

Supplementary cooling or reduced suction gas temp.

F Type	Number of cylinders	Displacement (1.450 rpm) m ³ /h	Weight kg	Connections ①		Oil charge Ltr.	Speed range rpm
				Discharge line DV	Suction line SV		
				mm inch	mm inch		
F2	2	10,5	18	16 5/8	16 5/8	0,8	960 - 1800
F3	2	20,3	28	22 7/8	28 1 1/8	1,5	960 - 1800
F4	4	40,5	51	28 1 1/8	35 1 3/8	2,6	500 - 1800
F5	4	73,7	85	35 1 3/8	2 x 35 2 x 1 3/8	3,8	500 - 1800
F14/1166	4	101,5	149	42 1 5/8	54 2 1/8	3,8	700 - 1800
F14/1366	4	118,9	149	42 1 5/8	54 2 1/8	3,8	700 - 1800
F16/1751	6	152,2	175	42 1 5/8	54 2 1/8	5,0	700 - 1800
F16/2051	6	178,4	175	42 1 5/8	54 2 1/8	5,0	700 - 1800

① For soldering connections

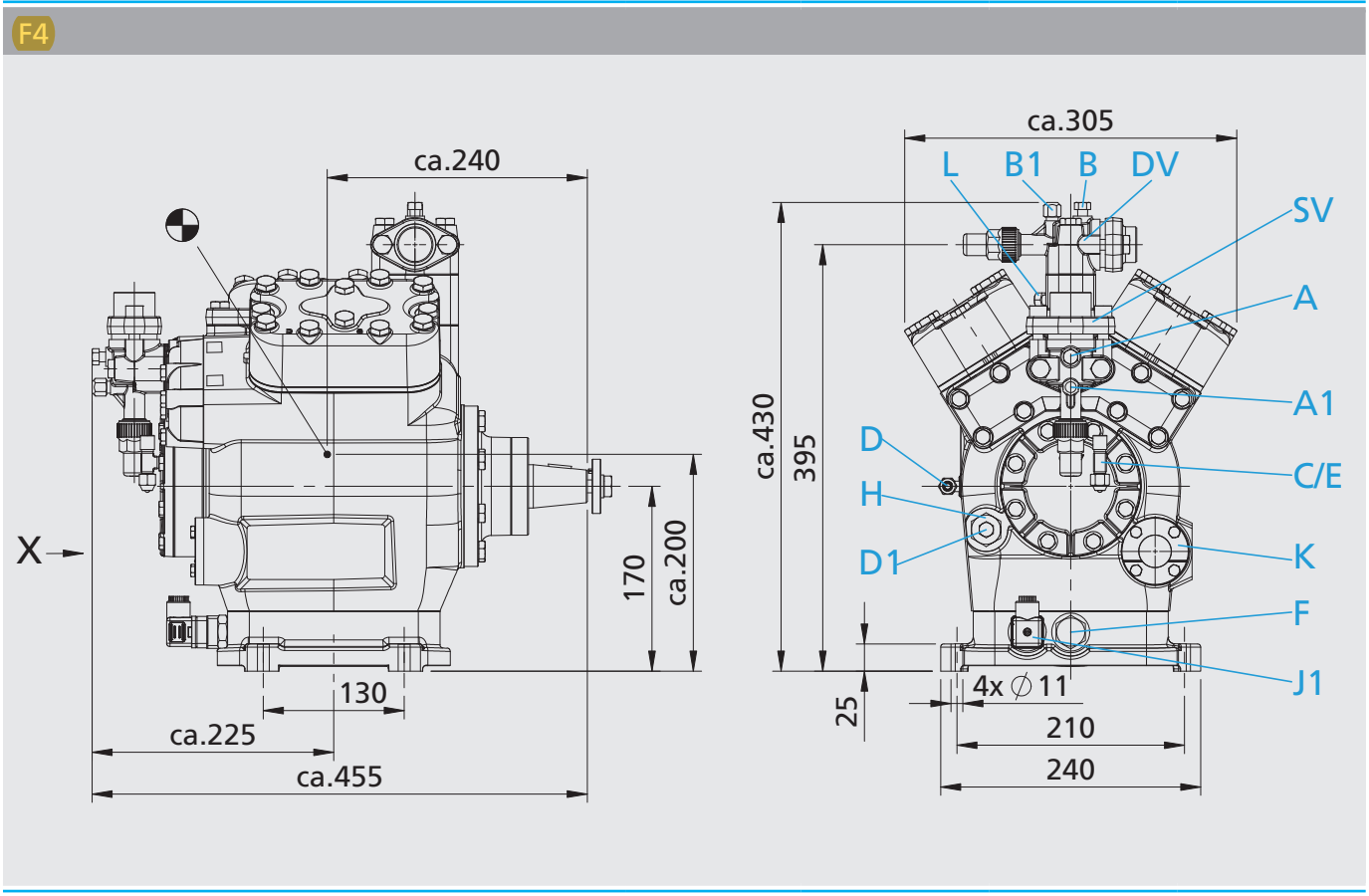
Oil sump heater: 230 V – 1 – 50/60 Hz

F2: 40 W (option)

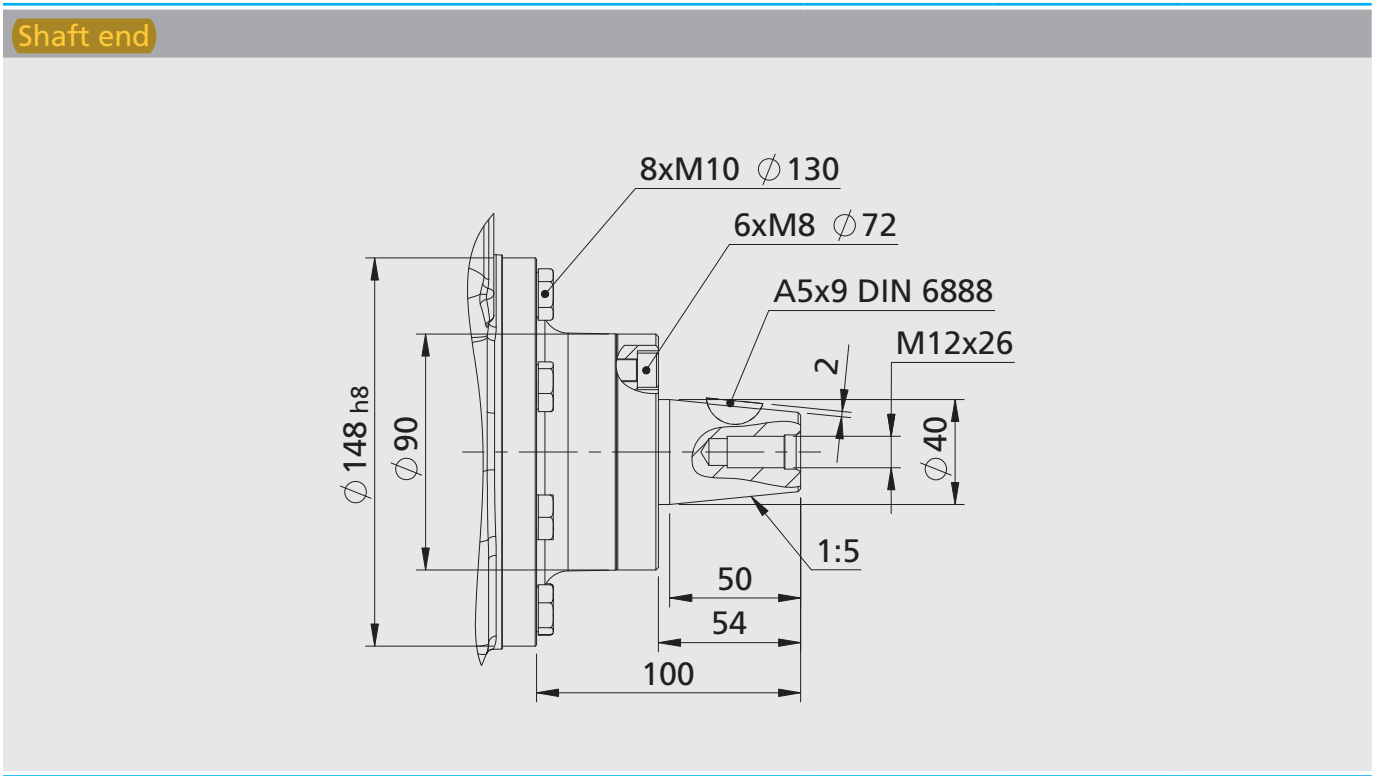
F3: 60 W (option)

F4, F5: 80 W (standard)

F14, F16: 140 W (standard)



- 1
- 2
- 3
- 4



Dimensions in mm
 ● Centre of gravity

- Connections see page 31
 - Dimensions for view X see page 29